

ETUK-1 STANDARD ENCLOSURE WITH DIN RAIL

for e.g. control units and thermostats, IP55.



TECHNICAL DATA

Material:	Polystyrene (PH-HI)
Temperature range:	-15 to +60°C
Color:	RAL 7035
Halogen-free:	Yes
Glow wire test:	650°C according to IEC 60695-2-11
Glow wire test V0:	960°C according to IEC 60695-2-11
Dimensions (BxHxD):	83x175x106 mm
Weight:	250 grams
Protection class:	IP55

CHARACTERISTICS

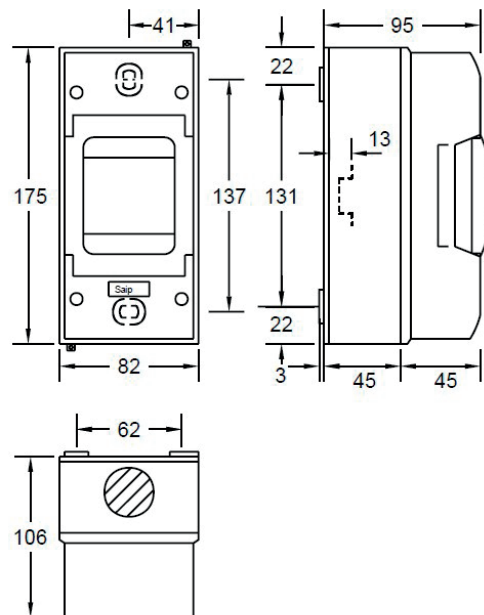
- 2-3 Modules
- Protection class IP55
- Halogenfree

FUNCTION

ETUK-1 is a standard enclosure with DIN rail for mounting e.g. our thermostats and control units on the wall. It is intended for products with 2-3 modules and is IP55. Standard enclosure made of self-extinguishing Polystyrene plastic. Stable construction. The enclosures are delivered with a transparent door.

DIMENSIONS

(mm)



ORDERING EXAMPLE

Item code	Designation
ETUK-1	Standard enclosure 2-3 Moduls IP55