

CTS-Dx-PT1000 TEMPERATURE SENSOR

Outdoor temperature sensor with spacer bracket,
Pt1000 sensor element

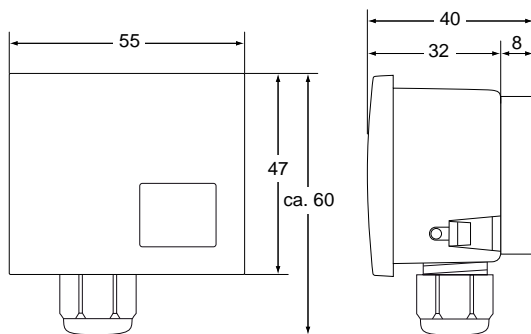


TECHNICAL DATA

Sensor element:	1000 Ohm at 0°C DIN EN 60751, class B
Material housing:	PC/ABS
Temperature range:	-30°C to +70°C
Weight:	42 g
Protection class:	IP54

DIMENSIONS

(mm)



PROPERTIES

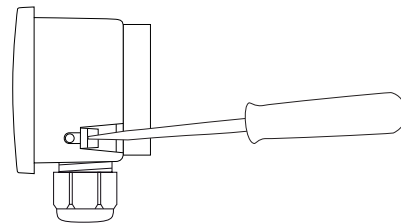
- Pt1000 sensor element
- Simple installation
- Cover with snap locking
- Delivered with spacer bracket

USE

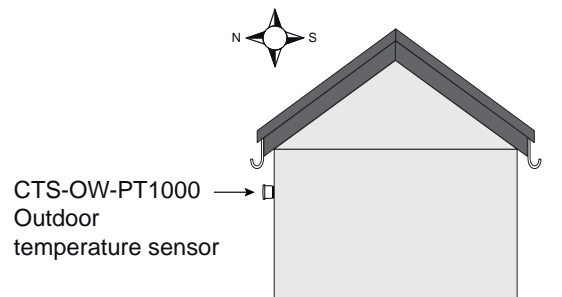
CTS-OW-PT1000 is a sensor for outdoor temperature measurement. It is delivered with a spacer bracket to minimize the temperature influence from the surface where the sensor is mounted, e.g. a building's exterior wall.

INSTALLATION

The housing's cover is removed by pressing in the lock catches on the side of the case.



Place the CTS-OW-PT1000 on the north side of the building where it is not exposed to direct sunlight.



ORDERING EXAMPLE

Item code	Designation
CTS-OW-PT1000	Outdoor temperature sensor with spacer bracket