

UG-COVER WATER RESISTANT HOUSING

for outdoor use of Uniguard Superflow duct smoke detectors UG-3 and UG-4

TECHNICAL DATA

Weight

Base:	0,3 kg
Top housing:	1,5 kg
Housing complete mounted:	1,8 kg

Material

Base:	Galvanized steel
Top housing:	Galvanized steel
Housing complete mounted:	Galvanized steel
	Insulated: 13 mm

Protection:

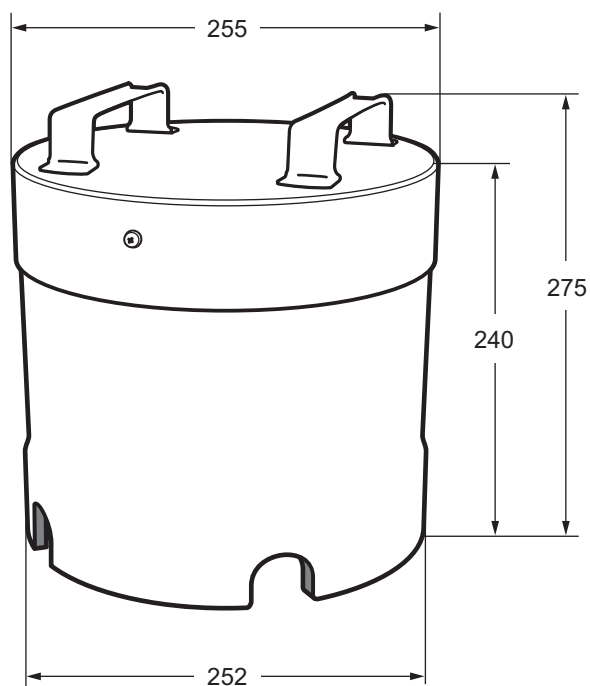
IP54

GENERAL INFORMATION

Protection cover is used as covering protection for Uniguard Superflow duct smoke detector, mounted outdoors or in cold attics to avoid that hot outlet air is condensating.

DIMENSIONS

(mm)



Housing complete mounted

Height: 280 mm

Width: 282 mm

