

IOMB-03, I/O-MODUL WITH MODBUS COMMUNICATION

3 analogue and 3 digitala inputs and 3 analogue and 3 digitala outputs.



TECHNICAL DATA

Supply voltage:	24V AC/DC $\pm 10\%$
Power consumption	<100 mA
Analogue inputs:	3 x 0-10V DC, (input impedance 5.3 k Ω) or 3 x Pt1000/Ni1000LG
Analogue outputs:	3 x 0-10V DC
- max load/output:	>5 k Ω imp.
Digital inputs:	3, via closure
Digital output, relay:	3 x 5A, 250V
Indicators LED:	6 amber: Digital I/O, 1 green: Operation/ communication
Communication:	Modbus RTU (RS485)
- RS485 unit load:	96kOhm (1/8 UL)
- Parity selectable:	None, even, odd
- Stop bits:	1 or 2, selectable for no parity
- Speed (baud rate, kbps):	9.6 / 19.2 / 38.4 / 57.6
- Address:	1-64
- Terminating resistor:	120 Ω via jumper J7
Ambient temperature:	-20 till +50°C
Cable inlets:	6 x M16 and 2 x M20
Weight grams:	778 g
Dimensions (WxHxD):	250x175x75 mm
Protection class:	IP54

ORDERING EXAMPLE

Item code	Description
IOMB-02	I/O Module with Modbus communication, 8 in & 4 out / PWM-output, transparent cover
IOMB-03	I/O Module with Modbus communication, 6 in & 6 out, transparent cover
IOMB-TCP/IP	Modbus-IP gateway for IOMB

CHARACTERISTICS

- Gathers sensor signals
- Communicates with Modbus RTU
- Universal
- Microprocessor technology
- Operation indicator
- Adjustable setting for communication interference
- Compatible with both Pt1000 and Ni1000LG

FUNKTION

IOMB-03 is an IP54 enclosed I/O module that transmits measurement and control signals via Modbus to and from DUC regulators. IOMB-03 has 3 digital in and outputs and 3 analogue in and outputs.

The analogue inputs can be configured (via jumpers) to receive either 0-10V or temperature sensor (Pt1000/Ni1000LG). Choice of Pt1000 or Ni1000LG is set on the Modbus register 4x0026-28. The analogue outputs have 0-10V output.

The digital in and outputs both have an amber LED. The green operation LED blinks during Modbus communication.

Addressing, choice of parity and baud rate is set with DIP switches. IOMB-03 should be de-energised at these settings

The housing has 6 M16 and 2 M20 cable fittings.

Selectable default function: IOMB-03 has a selectable function for dealing with interruptions in the Modbus communication. This means that the three digital and three analogue outputs can be set individually should the Modbus communication be interrupted for a certain amount of time. The time for communication interruption before the default function kicks in can be set between 1 and 600 seconds. If set to 0 seconds then the function is deactivated (factory setting).

As an accessory, a Modbus-IP gateway is available for retrofit.

APPLICATION

IOMB-03 is used to collect and distribute analogue and digital signals to and from regulators (DUC) using Modbus RTU communication.

MOUNTING

IOMB-03 is wall-mounted indoors. For more information please refer to the installation instructions supplied with the product.

MAINTENANCE

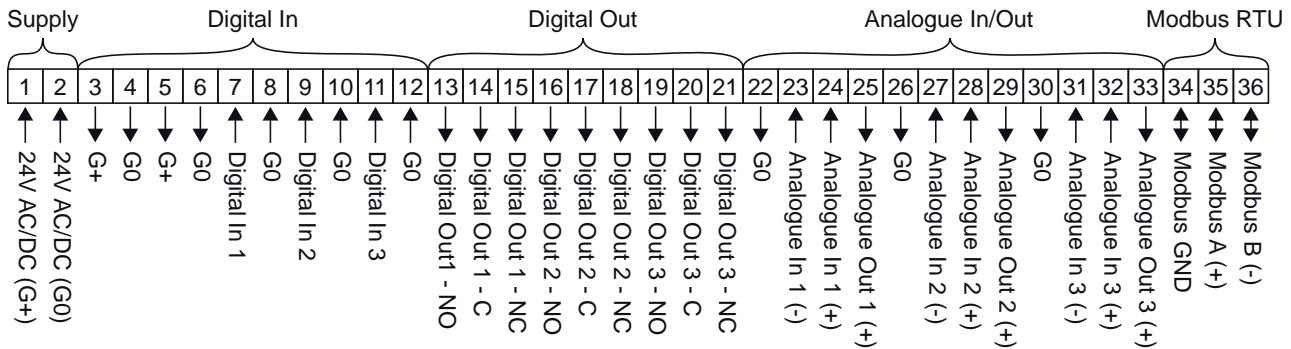
IOMB-03 is maintenance-free.

IOMB-03, I/O-MODUL WITH MODBUS COMMUNICATION

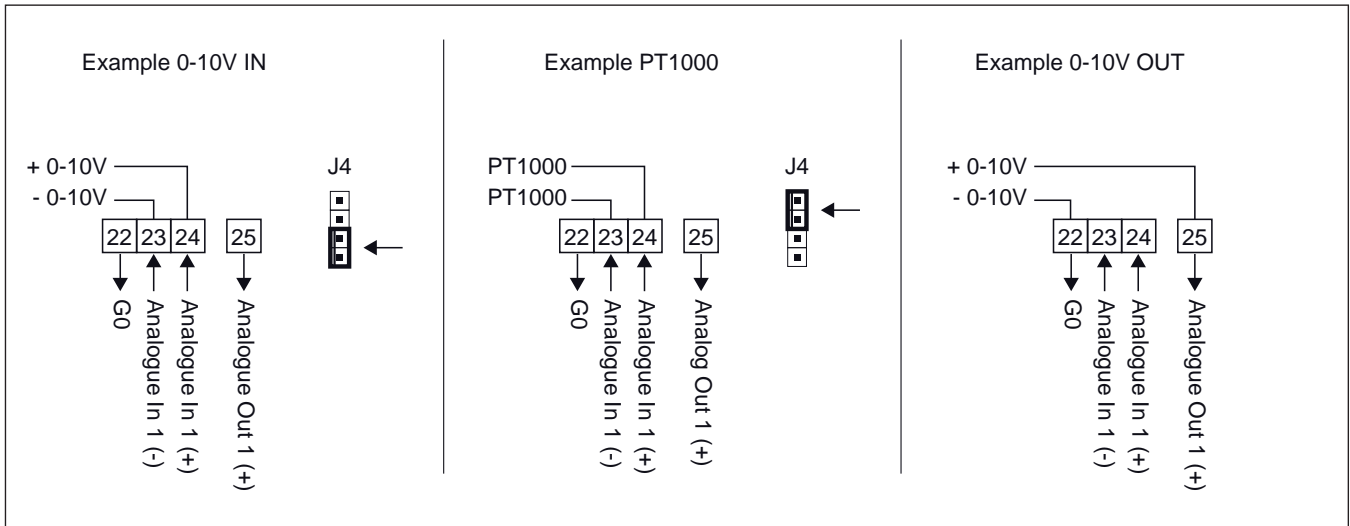
3 analogue and 3 digitala inputs and 3 analogue and 3 digitala outputs.



WIRING DIAGRAM



EXAMPLE SETTINGS



LED INDICATION

L1	DIN1	Closed
L2	DIN2	Closed
L3	DIN3	Closed
L4	DUT1	Active
L5	DUT2	Active
L6	DUT3	Active
L7	Operation	
L7 Blinks	Modbus communication	

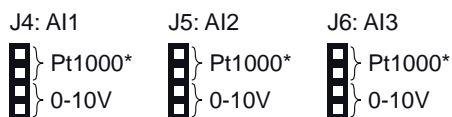
MODBUS-COMMUNICATION

Reference	Description
0x	Read/Write Discrete Outputs or Coils
1x	Read Discrete Inputs
3x	Read Input Registers
4x	Read/Write Output or Holding registers

MODBUS SETTINGS

For Modbus register and Modbus addresses, please refer to the installation instructions supplied with the product.

ANALOGUE INPUTS, CONFIGURATION OF JUMPERS



* Choice of Pt1000 or Ni1000LG is set on the Modbus register 4x0026-28.