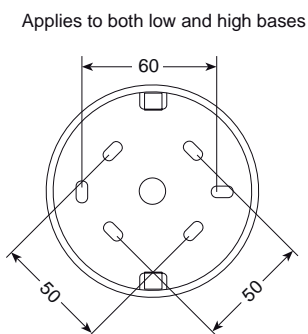
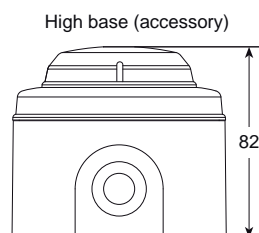
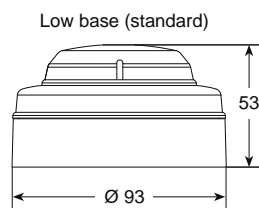




## TECHNICAL DATA

<b>Supply voltage:</b>	10-30V DC
<b>Power consumption:</b>	3-5 mA depending on the selected brightness
<b>Brightness:</b>	0.5 or 1 Cd
<b>Flash frequency:</b>	0.5 Hz (3 mA) or 1 Hz (5 mA)
<b>Colour:</b>	Red
<b>Material:</b>	Lens - Polycarbonate Base - ABS
<b>Ambient temperature:</b>	-10°C to +55°C
<b>Weight:</b>	100 g with low base 130 g with high base
<b>Protection class:</b>	IP21 with low base IP65 with high base

## DIMENSIONS (mm)



## CHARACTERISTICS

- LED light source
- Very low power consumption
- 10-30V DC power supply
- 0.5 Hz or 1 Hz flash frequency
- 0.5 or 1 Cd light output

## FUNCTION

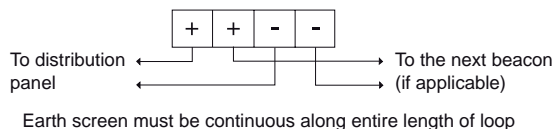
Solista is a beacon with LED light source that has very low power consumption. Solista is powered by 10-30V DC. Solista has a DIP switch for setting the flash frequency (0.5Hz or 1Hz) and light output.

The base SOCK-H- (colour\*) - 230V is a 110-240V AC voltage converter for 24V DC supply of Solista Maxi.

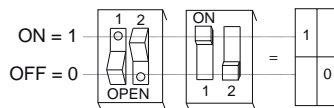
## APPLICATION

Normal applications include gas, fire and intruder alarms, and industrial applications.

## WIRING DIAGRAM



## DIP SWITCH



DIP1 - OFF: low 0.5 Cd/ON: 1 Cd  
DIP2 - OFF: 0.5 Hz/ON: 1Hz flash frequency

## ORDERING EXAMPLE

<b>Item code</b>	<b>Designation</b>
SOL/RL/R/S	Solista, red lens

## ACCESSORIES

<b>Item code</b>	<b>Designation</b>
SOCK-HR-2KI	High base, IP65, red
SOCK-HV-2KI	High base, IP65, white
SOCK-HR-230V	High base, IP65, 230V, red
SOCK-HV-230V	High base, IP65, 230V, white