

KE-800 CONTROL UNIT FOR SMOKE DETECTORS

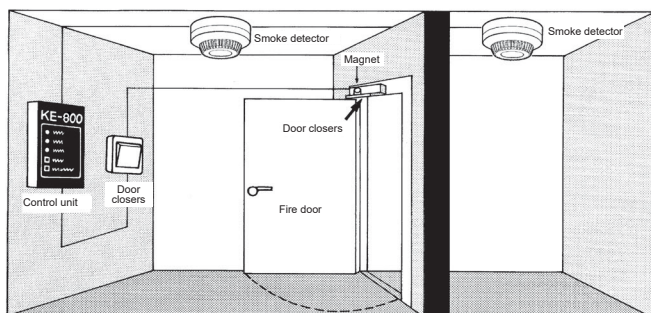
for fire door closing, evacuation alarms, fire dampers, smoke doors etc.



TECHNICAL DATA

Supply voltage:	230V AC/24V DC
Power consumption:	Max 10W
Terminating resistor:	2.2 kohm
Material in housing:	ABS
Mounting:	Wall
Max load magnetic output:	150 mA at 230V AC supply 500 mA at 24V DC supply
Max load relay:	5A/30V DC 5A/250V AC
Dimensions (WxHxD):	116x170x54mm
Weight:	About 550 g
Protection class:	IP21

APPLICATION EXAMPLE



FUNCTION

The KE-800 control unit is specially designed for controlling magnet-mounted doors.

The KE-800 has connections to handle 230V supply, smoke detectors, magnets as well as alarm functions, if any, via relay outputs. The front of the product has LED lights fitted for alarms, faults and operation as well as buttons for testing and reset. One or multiple smoke detectors can be connected to the KE-800 in one section.

An terminating resistor is connected in the last detector, 2.2 kohm.

As soon as smoke reaches one of the detectors, the alarm relay drops and the alarm light lights in the control unit. At the same time, the power to the magnets is cut and the fire doors close.

ORDERING EXAMPLE

Item code	Name
KE-800	Control unit

ACCESSORIES

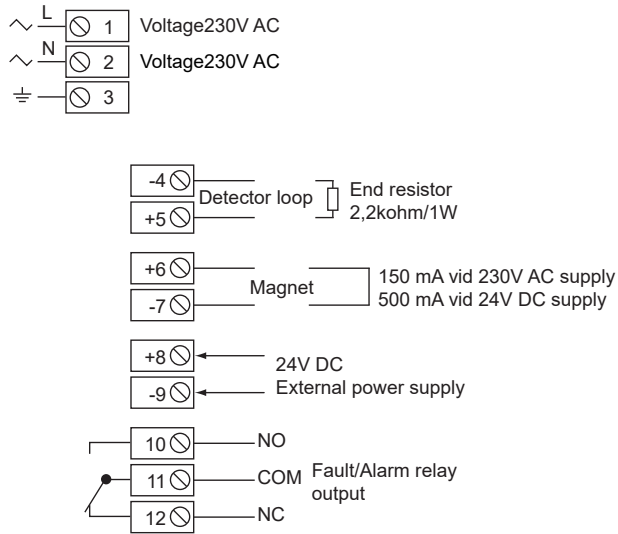
Item code	Name
ST-P-OM 24V	Smoke detector optical (base included)
ST-P-OM/I	Smoke detector optical
LTK-1	Push button fire alarm
TR-1007	Push button fire door
13050	Holding magnet and keeper plate

KE-800 CONTROL UNIT FOR SMOKE DETECTORS

for fire door closing, evacuation alarms, fire dampers, smoke doors etc.



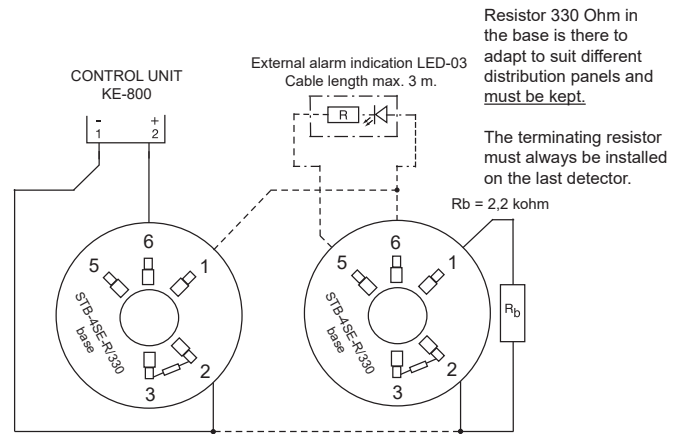
WIRING DIAGRAM



NB!

Relay contact is shown in normal energised condition.
 Normal operation, no alarm = end between 11 and 12, COM/NC
 Alarm, fault, voltage drop = end between 10 and 11, NO/COM

WIRING DIAGRAM FOR SMOKE DETECTORS



IMPORTANT!

Resistors (2.2 kohm) must be installed in the last detector.